

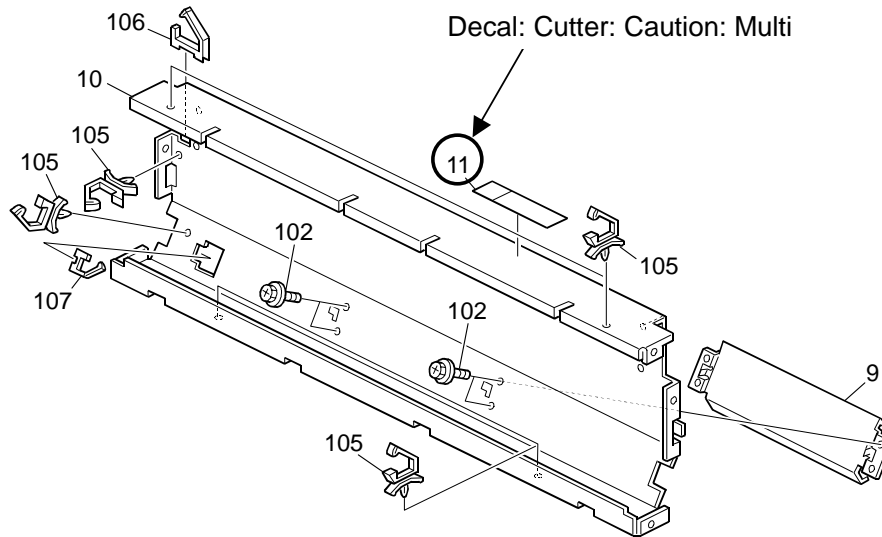
Model: Roll Feeder Type240 A/B for N-C1		Date: 3-Jun-04	No.: MB641001
Modified Article: Decal: Cutter: Caution: Multi (-27 only)		Prepared by: F.Noguchi	
From: 2nd Tech. Support Sec. Service Support Dept.			
Reason for Modification:	<input type="checkbox"/> Parts catalog correction	<input type="checkbox"/> Vendor change	<input type="checkbox"/> To meet standards ()
	<input type="checkbox"/> To facilitate assembly	<input type="checkbox"/> To improve reliability	
	<input type="checkbox"/> Part standardization	<input checked="" type="checkbox"/> Other	

The following caution decals have been added as accessories from the beginning of mass production of **the -27 model only**.

- 1pc of this service part contains several decals, one for each language. Therefore please choose the appropriate language and affix this decal over the existing English decal.

New part number	Description	Q'ty	Page	Index	Note
B6412535	Decal: Cutter: Caution: Multi	0 - 1	11 17	11 1	

Page13 6. FRAME SECTION



Reissued: 12-Jan-05

Model: R/F Type240A/B for Neptune-C1	Date: 24-Dec-04	No.: MB641002a
--------------------------------------	-----------------	----------------

MB Reissue

This MB has been deleted.

Modified Article: Heater : 230V: 18W: 130C: CHN		Prepared by: F.Noguchi	
From: 2nd Tech. Support Sec. Service Support Dept.			
Reason for Modification:	<input checked="" type="checkbox"/> Parts catalog correction	<input type="checkbox"/> Vendor change	<input type="checkbox"/> To meet standards ()
	<input type="checkbox"/> To facilitate assembly	<input type="checkbox"/> To improve reliability	
	<input type="checkbox"/> Part standardization	<input type="checkbox"/> Other	

This MB has been issued to officially **delete** MB #MB641002.

This is because:

The above MB contained a content error.

For the corrected version of this MB, please see **MB #MB125005**.

Model: R/F Type240A/B for Neptune-C1		Date: 17-Jan-05	No.: MB641003
Modified Article: Heater : 230V: 18W: 130C: CHN		Prepared by: F.Noguchi	
From: 2nd Tech. Support Sec. Service Support Dept.			
Reason for Modification:	<input checked="" type="checkbox"/> Parts catalog correction	<input type="checkbox"/> Vendor change	<input type="checkbox"/> To meet standards ()
	<input type="checkbox"/> To facilitate assembly	<input type="checkbox"/> To improve reliability	
	<input type="checkbox"/> Part standardization	<input type="checkbox"/> Other	

	Part number	Description	Q'ty	Page	Index	Note
Incorrect	AX400170	Heater - 230V 18W	2	15	15	
Correct	AX400170	Heater - 230V 18W	2	15	15	*
	AX400182	Heater: 230V: 18W: 130C: CHN	2			

Change: The heater for the China model was added.

Reason: This part was missing from the Parts Catalogue.

Note: AX400182 is for the China model.